



# VPD 90

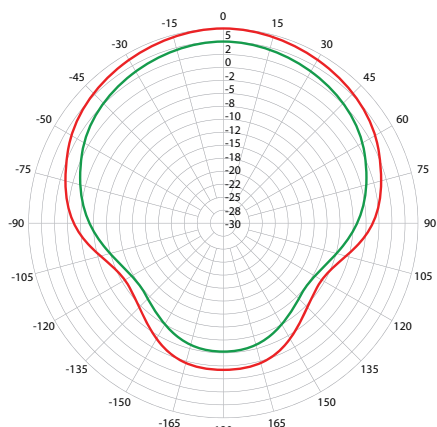
## Directional Antenna



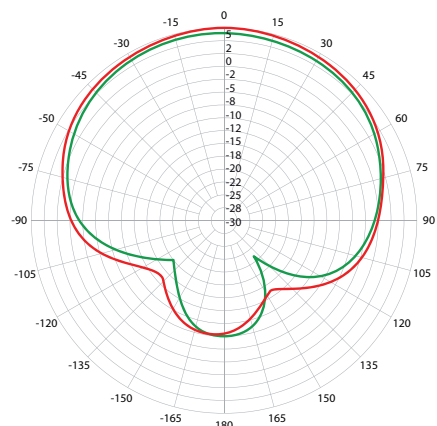
The obvious choice of a high gain antenna for M2M applications! VPD 90 is designed for discreet outdoor installations and is not easily identified as an antenna. The directional antenna VPD90 can be pointed towards the optimal direction by mounting the antenna housing in predefined directions. VPD90 is optimised for the GSM bands, 3G frequencies and the licence free 868 MHz band.

- **Flexible five band antenna – 850/900/1800/1900/2100MHz**
- **Excellent RF-performance**
- **Directional antenna with durable design**
- **Extra electrical isolation according to SS-EN 61010**
- **Verified according to IP44**
- **RoHS compliant**
- **Easy and fast to install**

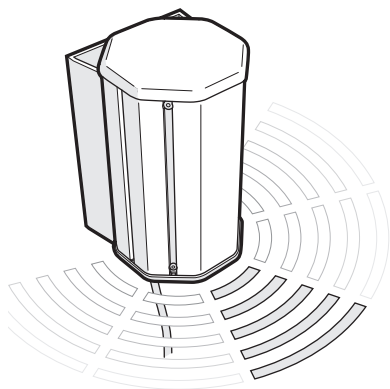




900 MHz – Azimuth (deg) – Amplitude (dB)



1800 MHz – Azimuth (deg) – Amplitude (dB)



## Specifications VPD 90

### Electrical

Frequency	824-960/1710-2170MHz
Impedance	Nominal 50 $\Omega$
Polarization	Linear vertical
VSWR	Low Band <2.0:1 High Band <2.0:1
Gain	Low Band 7dBi High Band 5dBi
Max Power	10W

### Mechanical

Dimension	110x110x200mm (LxWxH)
Weight	485g
Installation	Mounting bracket included
Connector	SMA(m) chassis connector
Material	Radome/Bracket: ABS, Top/Bottom: PP
Color	Grey (RAL 7035)
Water ingress	According to IP44

### Environmental

Temperature	-40°C to +85°C
-------------	----------------

### Product No

710002

Smarteq reserves the right to change specifications without prior notice.

**SMARTEQ™**  
antennas



Smarteq is certified according to ISO/TS 16949, ISO 14001

Smarteq, based in Stockholm, Sweden, is a leading developer of antennas and antenna systems for increased availability, efficiency, and security in the more and more wireless world. Smarteq aims towards the market segments M2M, automotive, and mobile communications (of voice and data).

[www.smarteq.com](http://www.smarteq.com) +46 8 792 92 00